

TECHNICAL PRODUCT SUBMITTAL

AMICUS LAHP-1804WWS BOOST HEAT PUMP

Heating Data		
Heating Capacity (EN14511) ¹		kW
Total Power input (EN14511) ¹		kW
COP (EN14511) ¹		W/W
Nominal flow rate		m ³ /h
Pressure drop across the heat pump		kPa
EcoDesign data		
EcoDesign Energy Label Rating		LT/HT
SCOP Low Temperature		
Seasonal Efficiency High temperature		%
General Data		
Refrigerant type		
Compressor Type		
Number of Compressors		
Number of Circuits		
Capacity steps		
Minimum capacity step		%
Electrical Data		
Power supply		V/Ph/Hz
Maximum input power		kW
Maximum input current standard unit		A
Peak input current standard unit		A
Peak input current with soft start option fitted		A
Fuse rating (delayed)		A
Fans		
Sound power level		dB(A)
Sound pressure level		dB(A)

323
67.9
4.76
44.21
12.2
A++/A++
5.95
181
R134A
Scroll
4
2
4
25
400/3+N/50
95.6
172
354
264
315
88
56

Model	Octave band (Hz)								Lw		Lp
	63	125	250	500	1K	2K	4K	8K	Db	dB(A)	dB(A)
	dB	dB	dB	dB	dB	dB	dB	dB			
302	78.1	69.3	63.2	61.7	60.6	55.2	51.8	42.7	78.9	65	49
402	78.1	69.3	63.2	61.7	60.6	55.2	51.8	42.7	78.9	65	49
602	83.1	74.3	68.2	66.7	65.6	60.2	56.8	47.7	83.9	70	54
702	86.1	77.3	71.2	69.7	68.6	63.2	59.8	50.7	86.9	73	57
902	87.1	78.3	72.2	70.7	69.6	64.2	60.8	51.7	87.9	74	58
1202	89.1	80.3	74.2	72.7	71.6	66.2	62.8	53.7	89.9	76	60
1402	91.1	82.3	76.2	74.7	73.6	68.2	64.8	55.7	91.9	78	62
1804	101.1	92.3	86.2	84.7	83.6	78.2	74.8	65.7	101.9	88	72
2304	102.1	93.3	87.2	85.7	84.6	79.2	75.8	66.7	102.9	89	73
2604	104.1	95.3	89.2	87.7	86.6	81.2	77.8	68.7	104.9	91	75

Lw: sound power level according to ISO 3744

Lp: sound pressure level at 1 mt from the unit in free field conditions direction factor Q=2 according to ISO 3744

TECHNICAL PRODUCT SUBMITTAL

AMICUS LAHP-1804WWS BOOST HEAT PUMP



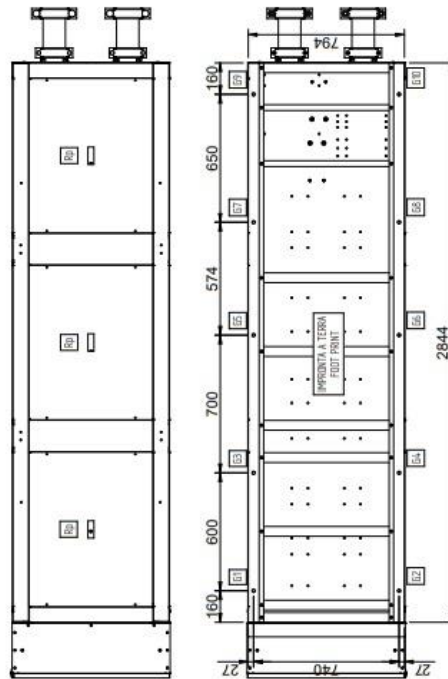
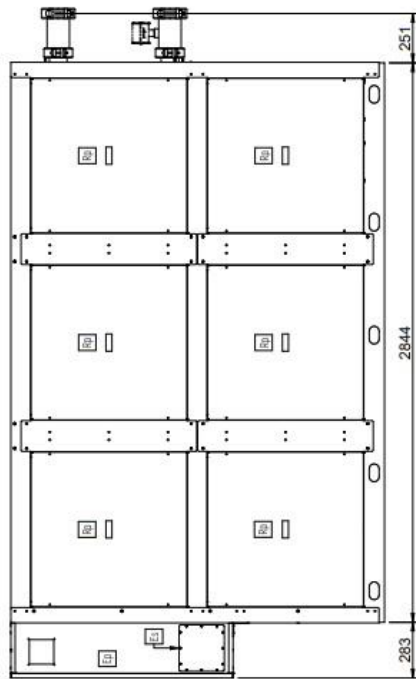
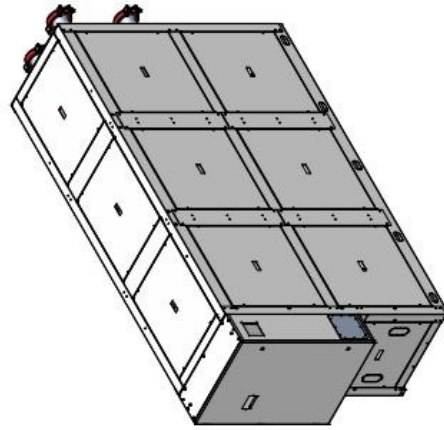
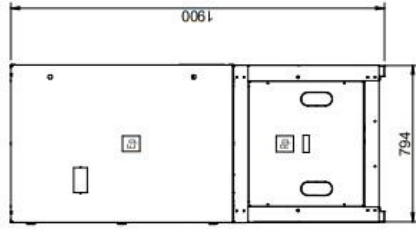
User	65			70		
Source	Output	Absorption	COP	Output	Absorption	COP
20	218	153	3.37	n/a	n/a	n/a
25	248	183	3.77	241	169	3.31
30	283	216	4.22	274	200	3.71
35	323	255	4.74	311	236	4.15
40	366	297	5.26	352	276	4.61
45	416	345	5.85	399	322	5.13
User	75			78		
Source	Output	Absorption	COP	Output	Absorption	COP
20	n/a	n/a	n/a	n/a	n/a	n/a
25	n/a	n/a	n/a	n/a	n/a	n/a
30	265	184	3.25	260	174	3.01
35	300	217	3.62	294	206	3.35
40	339	255	4.04	331	243	3.72
45	383	298	4.49	373	284	4.13

n/a=not allowed, heat pump will not work at operating conditions

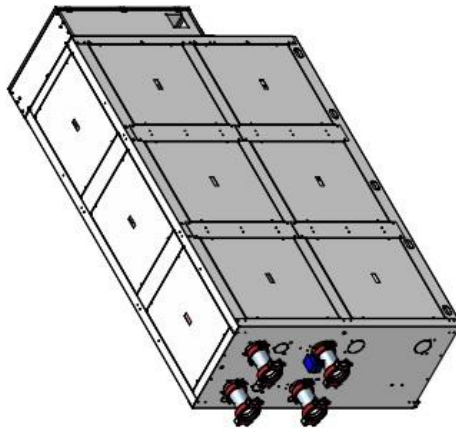
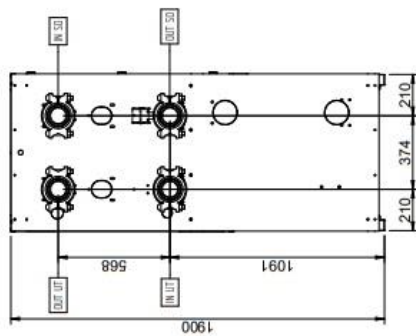
Amicus air to water heat pumps must be installed and maintained in line with the Installation Commissioning and Maintenance Instructions which are available on the Literature & Downloads section of www.lochinvar.ltd.uk

TECHNICAL PRODUCT SUBMITTAL

AMICUS LAHP-1804WWS BOOST HEAT PUMP



WEIGHT OF THE UNIT (Kg) PESO DELL'UNITA' (Kg)		2604
1804		2304
G1	160	177
G2	160	177
G3	160	177
G4	160	177
G5	160	177
G6	160	177
G7	160	177
G8	160	177
G9	160	177
G10	160	177
TOT	1600	1770



PANNELLO ASPORTABILE - REMOVABLE PANEL		WHK 1804_2604 HT LS
Rp	QUADRO ELETTRICO - ELECTRICAL PANEL	
Ep	INGRESSO ALIMENTAZIONE ELETTRICA - POWER SUPPLY INLET	
Es	INGRESSO ACQUA UTENTE - USER WATER INLET	Ø 5" VICTAULIC
IN UT	USCITA ACQUA UTENTE - USER WATER OUTLET	Ø 5" VICTAULIC
OUT UT	INGRESSO ACQUA SORGENTE - SOURCE WATER INLET	Ø 5" VICTAULIC
IN SO	USCITA ACQUA SORGENTE - SOURCE WATER OUTLET	Ø 5" VICTAULIC
OUT SO		